

Veenstra Group

Your Partner

for equipment and  
industrial maintenance

Mobiload

**Mobiload**

**Mobility**

**Speed**

**Flexibility**

**Quality**

**The Mobiload has  
it all**





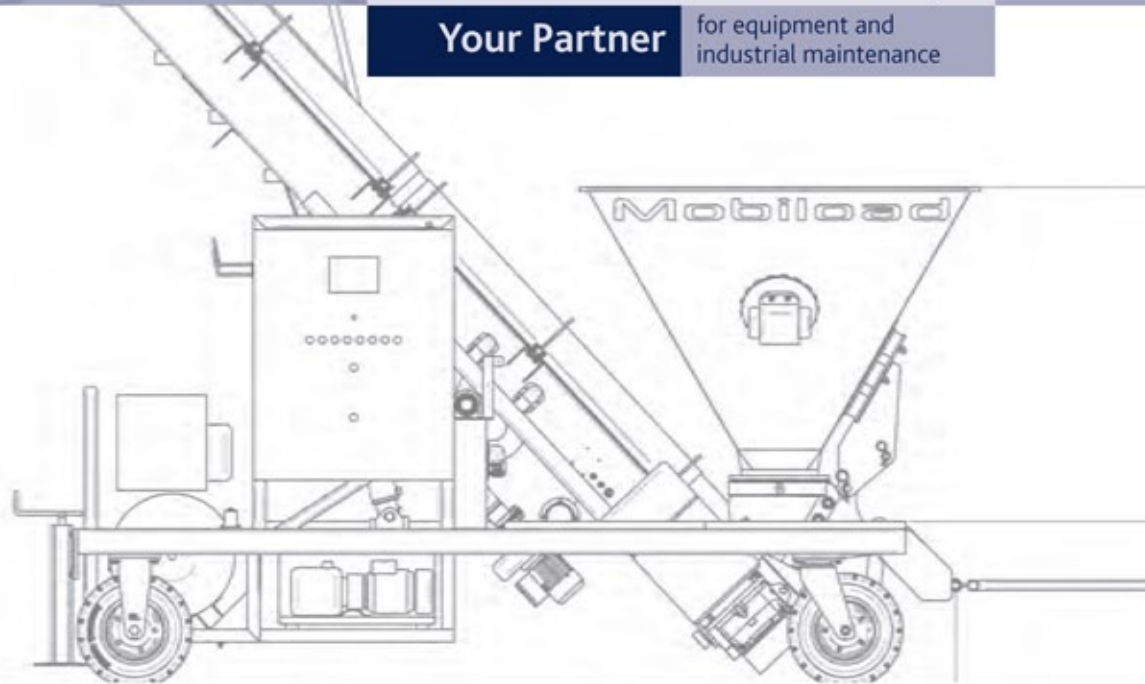
## *What is the Mobiload*

The Mobiload stands for "Mobile Loader" it is a system used to quickly transfer bulk goods from for example big bags to trucks. It is an innovative product aimed to offer clients a new flexible way of loading. It is fast and because of its mobility it can be used throughout all your operations boosting efficiency as well as flexibility.

The Veenstra Group has many years of experience when it comes to loading equipment. This experience led to a qualitative and fast product. The speed with which this loading equipment operates is truly impressive.

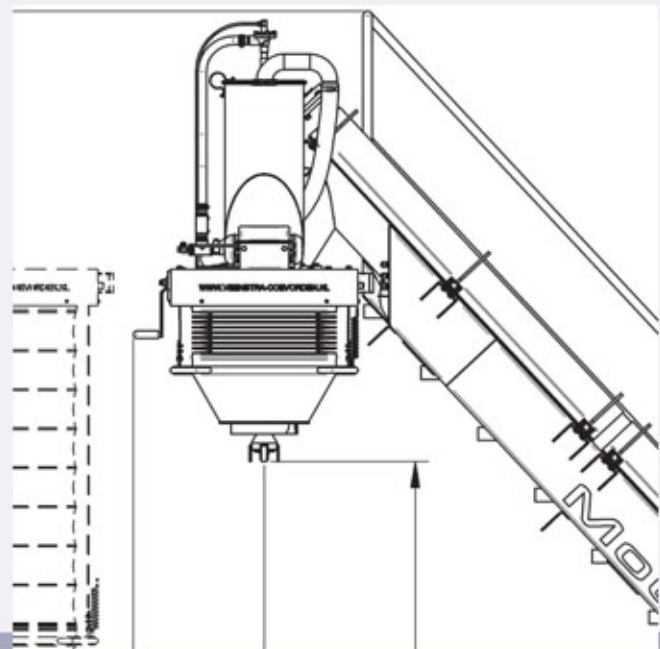
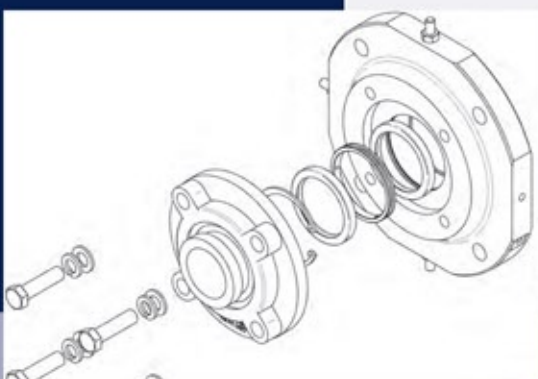
Speed and quality is what the Mobiload offers.





## *Technical information*

- 45 m<sup>3</sup>/hour (loading process big-bags into a truck)
- Pneumatic hammer on the inlet hopper
- Manually operated loading spout with level indicator
- Hydraulic folding
- Self-cleaning top filter
- Easy changing of filter cartridges
- The inlet hopper can be cleaned easily by hydraulic turn over
- PLC with touch screen



**VEENSTRA Coevorden BV**

**VEENSTRA Machinefabriek BV**

**VEENSTRA Services BV**

**VEENSTRA Revisie BV**

**VEENSTRA Onderhoud BV**



De Holwert 10  
7741 KC Coevorden  
The Netherlands  
PO box 3  
7740 AA Coevorden  
The Netherlands  
T. +31 (0)524 59 93 33  
F. +31 (0)524 59 93 30  
E. [mach@veenstra-coevorden.nl](mailto:mach@veenstra-coevorden.nl)  
I. [www.veenstra-coevorden.nl](http://www.veenstra-coevorden.nl)